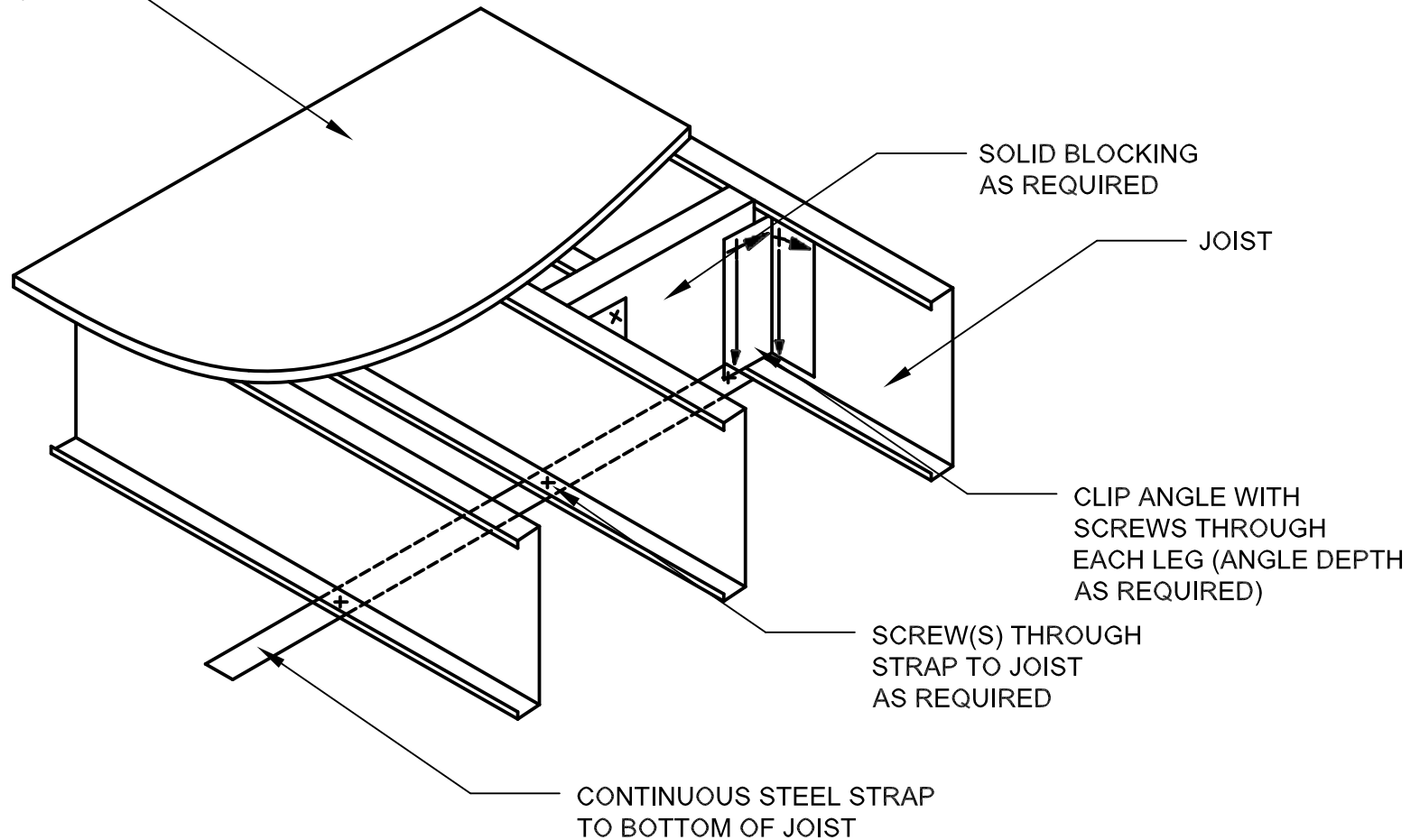


SUBFLOOR SHEATHING



GENERAL NOTES:

1. Detail is from the AISI Document entitled **Low-Rise Residential Construction Details**.
2. Consult **SFIA Technical Guide for Cold-Formed Steel Framing Products** for floor joist size, thickness, and spacing.
3. Consult with specialty structural engineer for floor framing system.

DISCLAIMER: This detail must not be used without a complete evaluation by the owner's design professional to verify validity of the design.